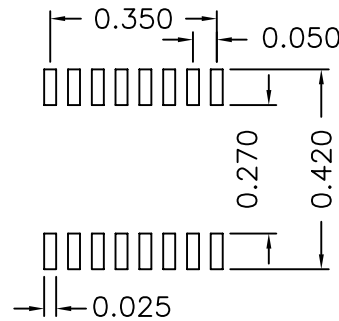
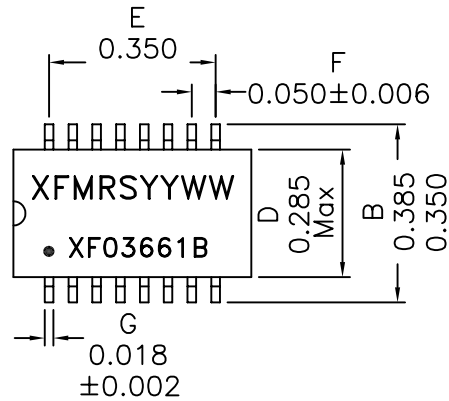
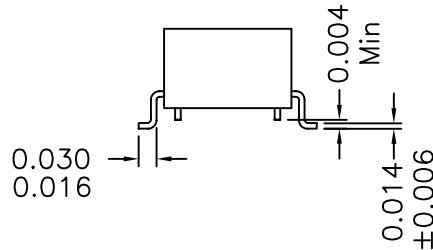
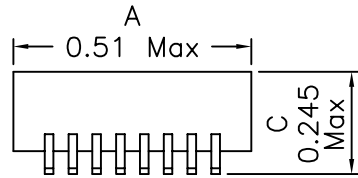
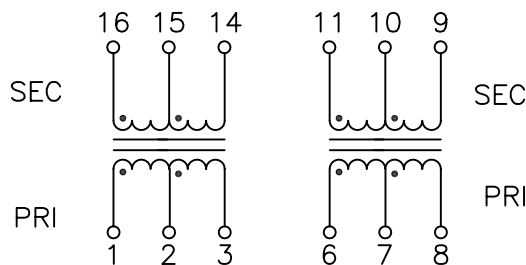


## 1. Mechanical Dimensions:



SUGGESTED FOOTPRINT

## 2. Schematic:



## 3. Electrical Specifications: @25°C

Isolation Voltage: 1500Vac

Turns Ratio: (PRI):(SEC)=1CT:1CT±5%

PRI OCL: 36.0uH Min @100KHz 20mV

PRI Q: 5 Min @100KHz 20mV

Cw/w: 6.0pF Max @100KHz 20mV (Pri/Sec)

PRI LL: 0.15uH Max @100KHz 20mV, Short SEC

DCR: 0.300 Ohms Max, Each Wdg

Return Loss: -15dB Typ 1-320MHz

Return Loss: -20dB Typ 5-100MHz

### Notes:

- Solderability: Leads shall meet MIL-STD-202G, Method 208H for solderability.
- Flammability: UL94V-0
- ASTM oxygen index: > 28%
- Insulation System: Class F 155°C. UL file E151556
- Operating Temperature Range: All listed parameters are to be within tolerance from -40°C to +85°C
- Storage Temperature Range: -55°C to +125°C
- Aqueous wash compatible
- SMD Lead Coplanarity: ±0.004"(0.102mm)
- Electrical and mechanical specifications 100% tested
- RoHS Compliant Component
- Recommended IR Reflow peak temp of 250°C Max.

<b>XFMRs Inc</b> www.XFMRs.com	Title: ATM 155Mb ISOLATION MODULE		
	UNLESS OTHERWISE SPECIFIED TOLERANCES: .xxx ±0.010 Dimensions in Inch	P/N: XF03661B DWN. CHK. APP.	REV. B Xiany YK Liao BW
SHEET 1 OF 1			

DOC REV: B/1

**PROPRIETARY**

Document is the property of XFMRs Group & is not allowed to be duplicated without authorization.